

SCIENTIFIC CHEMICAL TECHNOLOGIES (ScichemTech[®])

“Serving the Science and Industry”



SCT MINI & MAXI CONTROLLERS & SCT RED ROCK DOSING PUMPS



SCT MINI VERTICAL CONTROLLERS



SALIENT FEATURES:

- SCT- MINI VERTICAL CONTROLLERS are Simple and compact design, with unique colour
- SCT- MINI VERTICAL CONTROLLERS have Large and Clear LCD Display
- SCT- MINI VERTICAL CONTROLLERS is an accurate instrument used for Industrial online measurement of pH,ORP,EC & TDS control
- SCT- MINI VERTICAL CONTROLLERS Electrode is supplied with standard 10 meter cable as a Standard
- SCT- MINI VERTICAL CONTROLLERS are Manufactured as per GMP, ISO and the International standards.
- SCT- MINI VERTICAL CONTROLLERS are Easy to Install & Operates safely with less maintenance



TECHNICAL SPECIFICATIONS:

SCT PRODUCT NO	SCT-108.005.06	SCT-108.005.07	SCT-108.005.08	SCT-108.005.09	SCT-108.005.10
SCT MODEL NO	SCT-pH-MINI-V	SCT-ORP-MINI-V	SCT-EC-MINI-V	SCT-TDS-MINI-V	SCT-EC-MINI-HR-V
PARAMETERS	pH	ORP	CONDUCTIVITY	TDS	CONDUCTIVITY HR
Measuring Range	0.00~14.00pH	±1000mV	0~20, 0~200, 0~2000 µS/cm	0~20, 0~200, 0~2000 ppm	0~19.99mS/cm
Resolution	0.02 pH	±2mV	0.01, 0.1, 1 µS/cm	0.01, 0.1, 1 ppm	1 µS/cm
Accuracy	±0.1pH	±2mV	1.5% (fS)	1.5% (fS)	1.5% (fS)
Display	Clear LCD Display with BackLight				
Calibration mode	Three-Point calibration	Single Point Calibration			
Temperature compensation	Manual compensation with 25°C				
Temperature of measured solutions	0~80°C				
Compression resistance of electrodes	0~0.6MPa				
Measurement distance	standard configuration 10m(≤40m)				
Output current	Isolate the active output of 4~20mA. Dual-contact output with both higher and lower limits				
Control output	maximum and minimum (constantly open) contact point output				
Contact capacity	3A/AC 250V (resistive load)				
Cable Length	10 Meter cable as standard				
Environmental conditions	Temp : 0 to 50°C Humidity: ≤85%				
Face Opening	42x73mm				
Installation Method	Panel-Mounted				
External dimensions	80×50×95mm (Height× width× Depth)				
Weight	0.3Kg				
Power supply	AC 220V~240V / 50 - 60 Hz				

- **4-20 mA analog output**
- **Matching pin connection**
- **Large LCD Display with Backlight**
- **Quick Calibration**
- **Visual LED Alarm**



ALL OUR SCT MINI CONTROLLERS ARE SUPPLIED WITH PROBE, FIXATION CLAMPS AND INSTRUCTION MANUAL.

SCT MAXI CONTROLLERS

SALIENT FEATURES:

- SCT- MAXI CONTROLLERS are designed with creativeness to get the elegance and produced with proper quality , and meets the specifications for the Water related applications with high level performance .
- SCT MAXI CONTROLLERS are supplied with the suitable electrode with SCT standard 10 meters cable as a standard.
- SCT- MAXI CONTROLLERS are an industrial instrument used for online analysis and monitoring.
- SCT MAXI CONTROLLERS are made in a attractive pleasant colour with a Large and Clear blue LCD Display
- SCT MAXI CONTROLLERS are Microprocessor based controllers, which gives stable and accurate readings.
- SCT MAXI CONTROLLERS uses Low power consumption and produces less internal heat.
- SCT MAXI CONTROLLERS has an isolated 4-20 mA current output.
- SCT MAXI CONTROLLERS proved to work continuously in any harsh environmental conditions for the online measurement and control of accurate value and it give the direct measurement and readings.
- Manufactured as per GMP, ISO and the International standards.



TECHNICAL SPECIFICATIONS:

SCT PRODUCT NO	SCT-108.005.11	SCT-108.005.12	SCT-108.005.13	SCT-108.005.14
SCT MODEL NO	SCT-pH-MAXI	SCT-ORP-MAXI	SCT-EC-MAXI	SCT-TDS-MAXI
PARAMETERS	pH	ORP	CONDUCTIVITY	TDS
Measuring Range	0.00~14.00 pH	-1000~ +1000 mV	0~19.99, 0~199.9, 0~1999µs/cm	0~19.99, 0~199.9, 0~1999 ppm
Resolution	0.02 pH	±2mV	0.01, 0.1, 1 µS/cm	0.01, 0.1, 1 ppm
Accuracy	±0.1 pH	±2mV	1.5% (FS)	1.5% (FS)
Display mode	Clear LCD Display with BackLight			
Calibration mode	Three-points calibration	Single Point Calibration		
Temperature compensation	Manual compensation with 25°C			
Temperature of measured solutions	0~80°C			
Compression resistance of electrodes	0~0.6MPa			
Measurement distance	standard configuration 10m(≤40m)			
Output current	Isolate the active output of 4~20mA. Dual-contact output with both higher and lower limits			
Output control	Dual-contact output with both higher and lower limits (normally open and normally-close respectively)			
Contact capacity	7A/250V AC (resistive load)			
Length of the cable	10 Meter cable as standard			
Requirements on water samples	pressure: ≤0.3MPa / Flow rate: ≤3 m/s			
Environmental conditions	Temperature: 0~50°C; Humidity: ≤85%RH			
Face Opening	92x92mm			
Installation method	Panel-mounted			
External dimensions	96x96x120mm (Height x Width x Depth)			
Weight	0.5Kg			
Power supply	AC 220V~240V / 50 - 60 Hz			



ALL OUR SCT MAXI CONTROLLERS ARE SUPPLIED WITH 10 METER PROBE, FIXATION CLAMPS AND INSTRUCTION MANUAL.

SCT CONDUCTIVITY MINI & MAXI-HR CONTROLLERS (HIGH RANGE)

SALIENT FEATURES:

- SCT-EC (Electrical Conductivity) (High Range) CONTROLLERS are designed with creativeness to get the elegance and produced with proper quality, and meets the specifications for the Water related applications with high level performance.
- SCT-EC (Electrical Conductivity) (High Range) CONTROLLERS are supplied with the suitable electrode with SCT standard 10 meters cable.
- SCT-EC (Electrical Conductivity) (High Range) CONTROLLERS are an industrial instrument used for online analysis and monitoring.
- SCT-EC (Electrical Conductivity) (High Range) CONTROLLERS are made in a attractive pleasant colour with a Large and Clear LCD Display
- SCT-EC (Electrical Conductivity) (High Range) CONTROLLERS are Microprocessor based controllers, which gives stable and accurate readings.
- SCT-EC (Electrical Conductivity) (High Range) CONTROLLERS uses Low power consumption and produces less internal heat.
- SCT-EC (Electrical Conductivity) (High Range) CONTROLLERS has an isolated 4-20 mA current output.
- SCT-EC (Electrical Conductivity) (High Range) CONTROLLERS proved to work continuously in any harsh environmental conditions for the inline measurement and control of accurate EC value and it give the direct measurement and readings.
- Manufactured as per GMP, ISO and the International standards.



TECHNICAL SPECIFICATIONS:

SCT PRODUCT NO	SCT-108.005.05	SCT-108.005.15
SCT MODEL NO	SCT-EC-MINI-HR	SCT-EC-MAXI -HR
Measuring Range	0~19.99mS/cm	
Accuracy	1.5% (FS)	
Display	Clear LCD Display with Back Light	
Calibration mode	Single Point Calibration	
Temperature compensation	Manual compensation with 25°C	
Temperature of measured solutions	0~80°C	
Compression resistance of electrodes	0~0.6MPa	
Measurement distance	standard configuration 10m(≤40m)	
Output current	Isolate the active output of 4~20mA. Dual-contact output with both higher and lower limits	
Output control	maximum and minimum (constantly open) contact point output	Dual-contact output with both higher and lower limits (normally open and normally-close respectively)
Contact capacity	3A/AC 250V (resistive load)	7A/250V AC (resistive load)
Cable length:	10 Meter cable as standard	
Requirements on water samples	Pressure: ≤0.3MPa / Flow rate: ≤3 m/s	
Environment conditions	Temperature: 0~50°C; humidity: ≤85%RH	
Face opening	45x92mm	92x92mm
Installation method	Panel-mounted	
External dimension	48x96x100mm (Height x Width x Depth)	96x96x120 mm (Height x Width x Depth)
Weight	0.3Kg	0.5Kg
Power supply	AC 220V~240V / 50 - 60 Hz	



- **4-20 mA analog output**
- **Matching pin connection**
- **Large LCD Display with Backlight**
- **Quick Calibration**
- **Easy User Interface**
- **Visual LED Alarm**

SCT CHLORINE & DISSOLVED OXYGEN MAXI CONTROLLERS

SALIENT FEATURES:

- SCT-CL & DO MAXI CONTROLLERS are designed with creativeness to get the elegance and produced with proper quality, and meets the specifications for the Water related applications with high level performance
- SCT-CL & DO MAXI controllers are an industrial instrument used for online analysis and monitoring.
- SCT-CL & DO MAXI CONTROLLERS are made in a attractive pleasant colour with a Large and Clear blue white LCD Display
- SCT-CL & DO MAXI CONTROLLERS has Microprocessor based controllers, which gives stable and accurate readings. (polarographic principle)
- SCT-CL & DO MAXI CONTROLLERS has Low power consumption and produces less internal heat.
- SCT-CL & DO MAXI CONTROLLER S has an isolated 4-20 mA current output
- SCT-CL & DO MAXI CONTROLLERS has a RS 485 communication interface
- SCT-CL & DO MAXI CONTROLLERS are panel mount type of controllers.
- SCT-CL & DO MAXI CONTROLLERS proved to work continuously in any harsh environmental conditions for the In line measurement and control of accurate value.
- SCT-CL & DO MAXI CONTROLLERS has a major advantage that, no reagents are used.it has the direct measurement and readings.
- Manufactured as per GMP, ISO and the International standards.



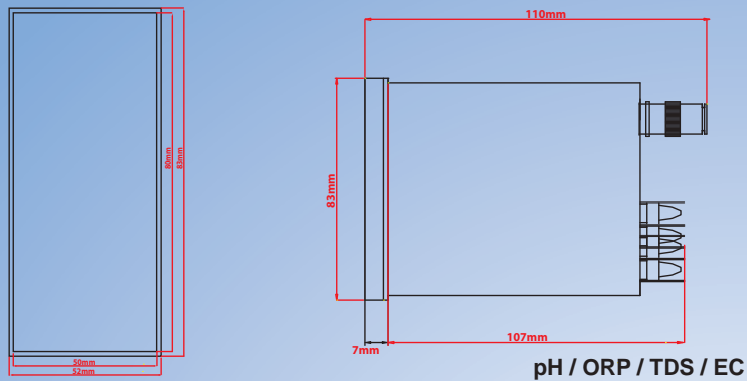
TECHNICAL SPECIFICATIONS:

SCT PRODUCT NO	SCT-108.005.26	SCT-108.005.31
SCT MODEL NO	SCT-CL-MAXI	SCT-DO-MAXI
Measuring range	0.00 ~ 19.99mg / L (ppm)	0.00 ~ 19.99mg / L (ppm)
Resolution	0.01mg / L	
Calibration	Single point Calibration	Zero / Air (100%) Calibration
Zero point calibration range	2.00mg / L (ppm)	
Slope of the calibration range	20% ~ 180%	
Temperature compensation	0 ~ 45°C (automatic or manual)	
Relay control range	0.00 to 19.99	
Output signal	4 ~ 20mA	
Sensor type	Diaphragm Polarographic sensor	
Current Output Load	Maximum allowable load of 500Ω	
Control Output Mode	On/Off relay output Contacts	
Environmental conditions	Temperature: 0~50°C; Humidity: ≤85%RH	
Face opening	92x92mm	
Installation method	panel-mounted	
External dimension	96x96x120mm (Height x Width x Depth)	
Weight	0.5Kg	
Power supply	AC 220V~240V / 50 - 60 Hz	

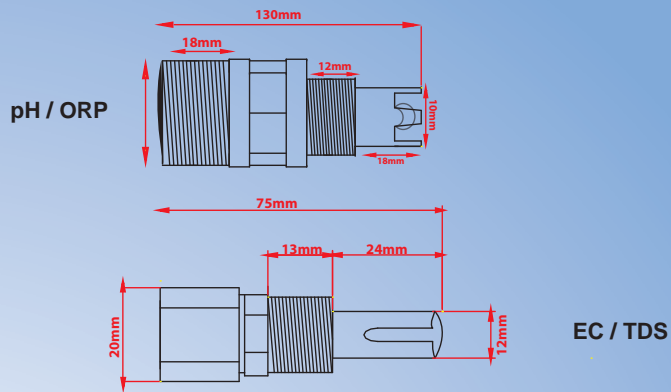


SCT CONTROLLERS & ELECTRODES DIMENSIONS

SCT-MINI VERTICAL CONTROLLERS

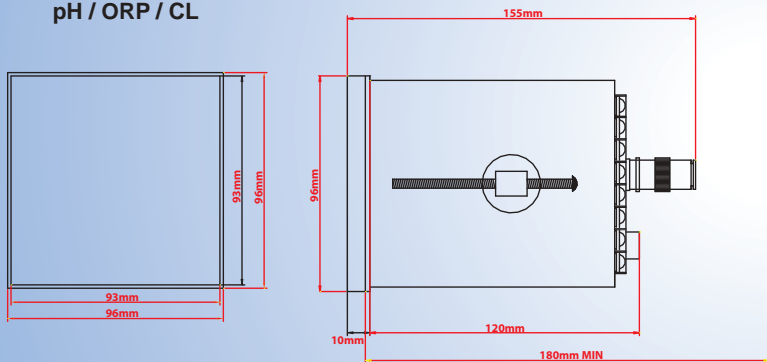


SCT- MINI SENSORS

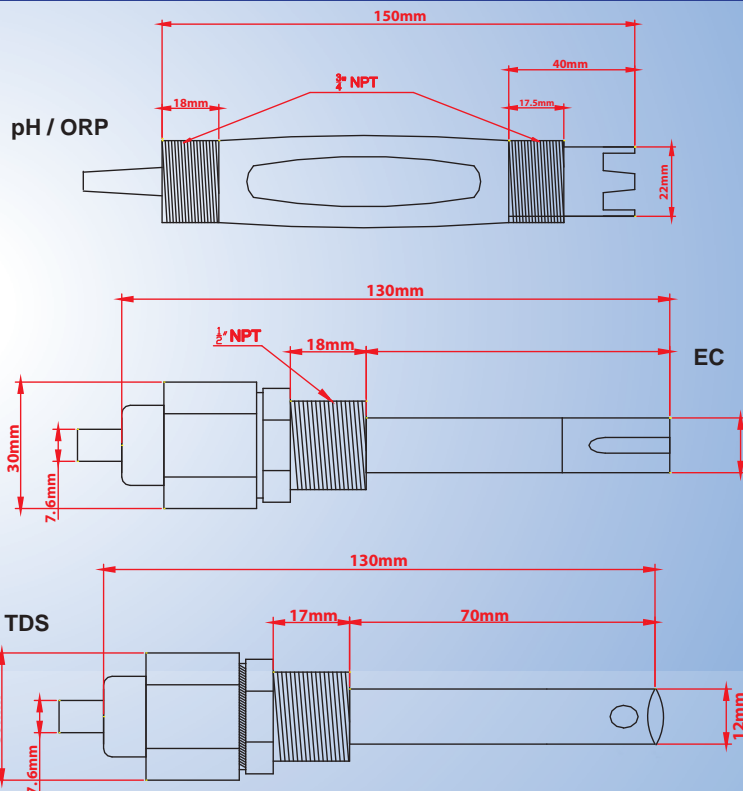


SCT- MAXI CONTROLLERS

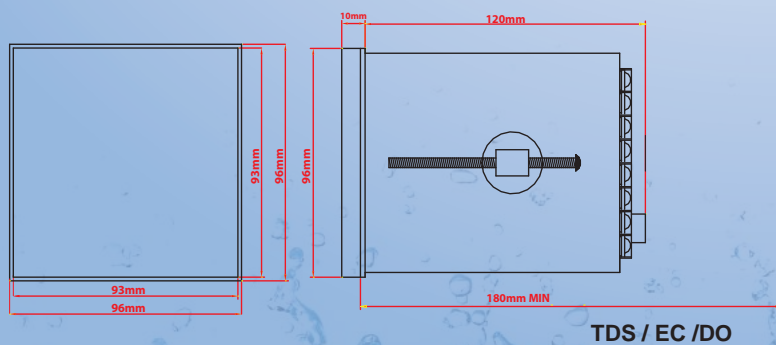
pH / ORP / CL



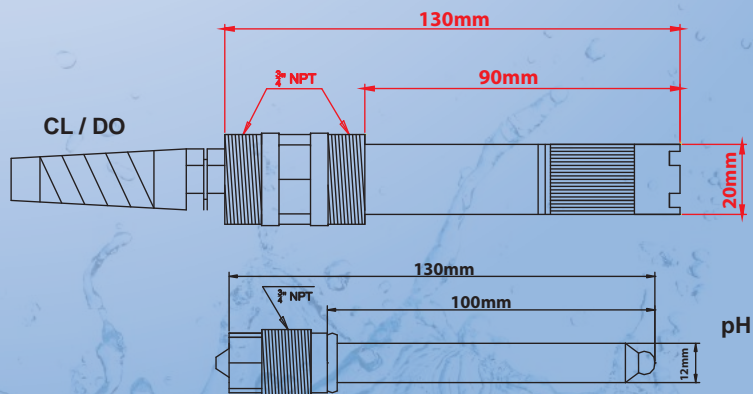
SCT - MAXI SENSORS



SCT - MAXI CONTROLLERS



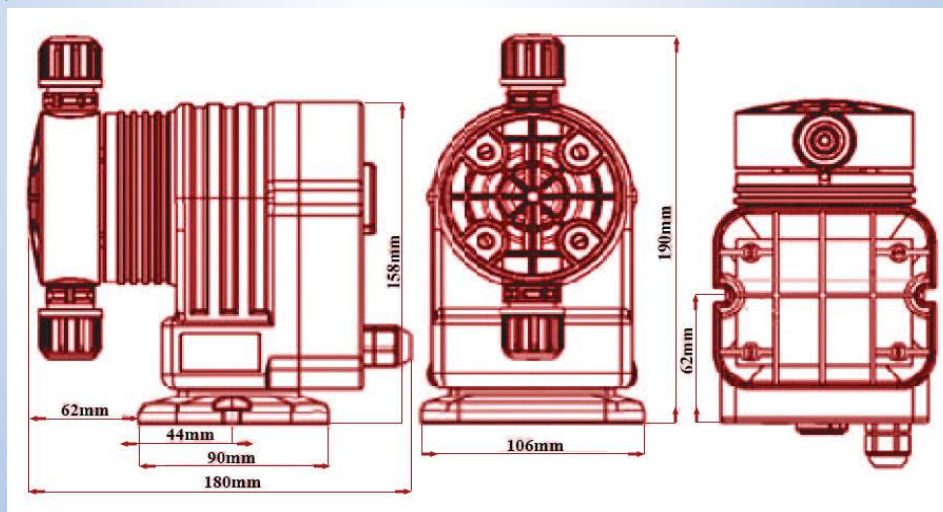
SCT - CL & DO SENSORS



SCT RED ROCK & RED ROCK HARD DOSING PUMPS

SALIENT FEATURES:

- SCT "RED ROCK-SOFT & ROCK-HARD Dosing pumps are designed and manufactured as per BS 7782-1996 and meets the international standards.
- SCT "RED ROCK-SOFT & ROCK-HARD Dosing pumps have Programmable high precision microprocessor control with digital display and with suitable keys, for easy adjustment and operations.
- SCT "RED ROCK-SOFT & ROCK-HARD Dosing pumps have the flow rate control from 0.5 L/H till 34 L/H with 12.0 to 1.0 bar respectively.
- SCT "RED ROCK-SOFT & ROCK-HARD Dosing pumps are made of polypropylene housing and PTFE diaphragm
- SCT "RED ROCK-SOFT & ROCK-HARD Dosing pumps have the pump's head made of reinforced Poly Propylene as standard and other materials such as PVC,PVDF and 316 Stainless steel are available as an optional in the "RED ROCK-SOFT & ROCK-HARD series in the following section.
- SCT "RED ROCK-SOFT & ROCK-HARD Dosing pumps are made as per IP 65 safety regulations.
- SCT "RED ROCK-SOFT & ROCK-HARD Dosing pumps have the stroke frequency from 160 to 200 strokes per minute.
- SCT "RED ROCK-SOFT & ROCK-HARD Dosing pumps are suitable for all the general chemical and water treatment solutions which is compatible with Polypropylene as a standard.
- SCT "RED ROCK-SOFT & ROCK-HARD Dosing pumps can be easily mounted on any dosing tanks or can be fixed in any angle.
- SCT "RED ROCK-SOFT & ROCK-HARD Dosing pump weighs 2.8 to 3.0 Kgs net (unpacked) and the approximate dimensions of Height 190 – 200 mm x Width 105-110 mm x Length 190-200 mm.
- SCT "RED ROCK-SOFT" Dosing pumps consumes 30 to 50 watts power and operates in 220-240 volts, 50-60 Hz frequency.
- Manufactured as per GMP, ISO and the International standards.



TECHNICAL SPECIFICATIONS FOR SCT RED ROCK-SOFT:

SCT PRODUCT NO.	Maximum Flow Rate (Liters / Hour)	Maximum Discharge Pressure (Bars)	SCT Pump's suction diameter / Caliber (mm)	SCT-Dosing Pump's frequency (Strokes /Minute)	SCT-Dosing Pump's head	Voltage & Frequency	SCT Dosing pumps - power usage in watts
SCT-108.006.01	0.5 L/H	12 Bars	6 mm	160	RPP	220V / 50-60 Hz	35 watts
SCT-108.006.02	1.0 L/H	12 Bars	6 mm	160	RPP	220V / 50-60 Hz	35 watts
SCT-108.006.03	3.0 L/H	8.0 Bars	6 mm	200	RPP	220V / 50-60 Hz	46 watts
SCT-108.006.04	5.0 L/H	4.0 Bars	6 mm	200	RPP	220V / 50-60 Hz	46 watts
SCT-108.006.05	7.0 L/H	3.5 Bars	6 mm	200	RPP	220V / 50-60 Hz	46 watts
SCT-108.006.06	10 L/H	3.0 Bars	6 mm	200	RPP	220V / 50-60 Hz	46 watts
SCT-108.006.07	14 L/H	1.7 Bars	6 mm	200	RPP	220V / 50-60 Hz	50 watts
SCT-108.006.08	20 L/H	1.5 Bars	6 mm	200	RPP	220V / 50-60 Hz	50 watts
SCT-108.006.09	25 L/H	1.2 Bars	6 mm	200	RPP	220V / 50-60 Hz	50 watts
SCT-108.006.10	34 L/H	1.0 Bar	6 mm	200	RPP	220V / 50-60 Hz	50 watts

RPP - Reinforced Polypropylene

ALL OUR SCT REDROCK PUMPS ARE SUPPLIED WITH THE TUBE, INJECTION VALVE, FOOT VALVE AND STRAINER.

TECHNICAL SPECIFICATIONS FOR SCT RED ROCK-HARD:

SCT PRODUCT NO.	SCT-Dosing Pump's head	Maximum Flow Rate (Liters / Hour)	Maximum Discharge Pressure (Bars)	SCT Pump's suction diameter / Caliber (mm)	Signal out put for the automatic control	SCT-Dosing Pump's frequency (Strokes /Minute)	SCT-Dosing Pump's head	Voltage & Frequency	SCT PRODUCT NO. For pump's head made of PVDF
SCT-108.006.21	RPP	0.5 L/H	12 Bars	6 mm	4-20 mA	160	PVDF	220V 50-60 Hz	SCT-108.006.41
SCT-108.006.22	RPP	1.0 L/H	12 Bars	6 mm	4-20 mA	160	PVDF	220V 50-60 Hz	SCT-108.006.42
SCT-108.006.23	RPP	3.0 L/H	8.0 Bars	6 mm	4-20 mA	200	PVDF	220V 50-60 Hz	SCT-108.006.43
SCT-108.006.24	RPP	5.0 L/H	4.0 Bars	6 mm	4-20 mA	200	PVDF	220V 50-60 Hz	SCT-108.006.44
SCT-108.006.25	RPP	7.0 L/H	3.5 Bars	6 mm	4-20 mA	200	PVDF	220V 50-60 Hz	SCT-108.006.45
SCT-108.006.26	RPP	10 L/H	3.0 Bars	6 mm	4-20 mA	200	PVDF	220V 50-60 Hz	SCT-108.006.46
SCT-108.006.27	RPP	14 L/H	1.7 Bars	6 mm	4-20 mA	200	PVDF	220V 50-60 Hz	SCT-108.006.47
SCT-108.006.28	RPP	20 L/H	1.5 Bars	6 mm	4-20 mA	200	PVDF	220V 50-60 Hz	SCT-108.006.48
SCT-108.006.29	RPP	25 L/H	1.2 Bars	6 mm	4-20 mA	200	PVDF	220V 50-60 Hz	SCT-108.006.49
SCT-108.006.30	RPP	34 L/H	1.0 Bar	6 mm	4-20 mA	200	PVDF	220V 50-60 Hz	SCT-108.006.50

PVDF - Polyvinylidene Fluoride



We at ScichemTech, where we always thrive to grow steadily, through inventing & introducing all possible quality, new products to the "Scientific and Industrial Community" and to our valuable customers.

Scientific Chemical Technologies LLC (ScichemTech)

952 Troy Schenectady Road, Executive Suites, Office 116,
Latham, NY 12110, ALBANY County,
United States Of America.

TEL : 001 - 518 - 925 - 4470 FAX : 001 - 316 - 223 - 1805

E-mail: sales@scichemtech.com Web: www.scichemtech.com

